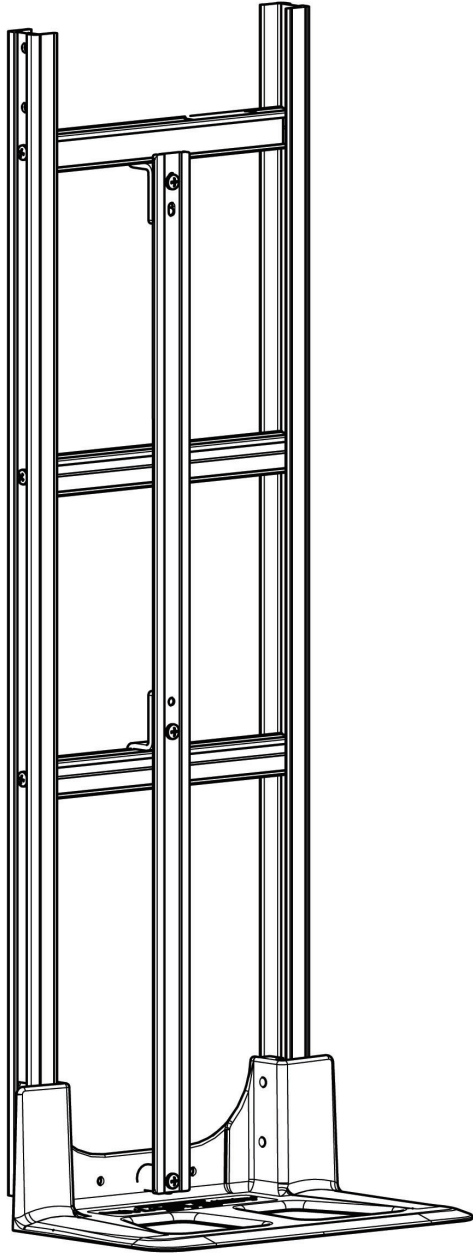


# ASSEMBLY INSTRUCTIONS



## Table of Contents:

Installation for frames with aluminum cross braces .....	2-3
Installation for frames with molded cross braces .....	4

**MAGLINER®**

[www.magliner.com](http://www.magliner.com)

## PARTS LIST FOR FRAMES WITH ALUMINUM CROSS BRACES

Item	Description	Qty.	Part No.
A	Vertical strap	1	Varies
B	Z-bracket	2	303107
C	Pan head machine screw - 1/4"-20 x 3/4" long	2	80256
D	Pan head machine screw - 1/4"-20 x 1-3/4" long	1	80106
E	Pan head machine screw - 1/4"-20 x 1" long	1	80102
F	Hex lock nut - 1/4"-20	3	80675
G	Spacer (for recess mount noses)	1	303108

### TOOLS REQUIRED

- (1) 7/16" WRENCH OR SOCKET
- (1) #3 PHILLIPS SCREW DRIVER

The following assembly sequence is recommended:

Use a workbench or table of convenient height and place all components in view and within reach.

1. Locate the set of holes near the center of the strap. Place one Z-bracket against the back of the vertical strap with the short leg oriented towards the bottom of the strap (see Figures 1 and 2). Secure with the 1/4"-20 x 3/4" long screw (C) and one hex lock nut (F) (finger tighten only for now).
2. Place the vertical strap assembly against the front of the hand truck frame as shown in Figure 3 so that the intermediate Z-bracket(s) are resting on top of the lower cross brace.

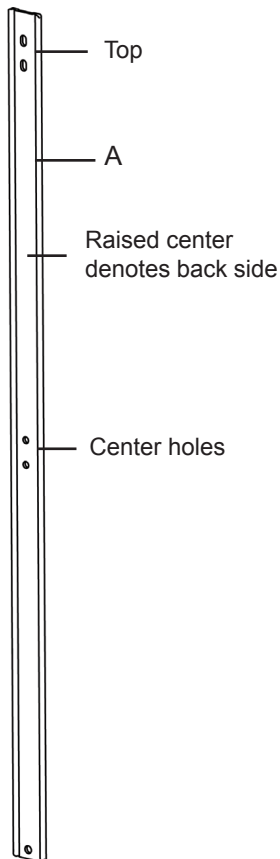


Figure 1

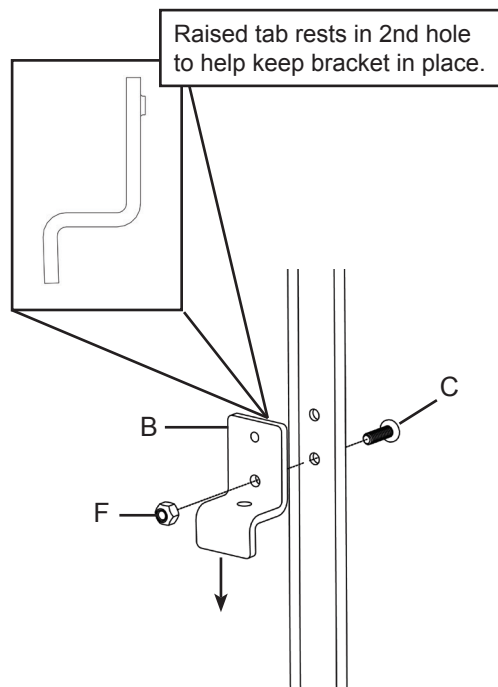


Figure 2

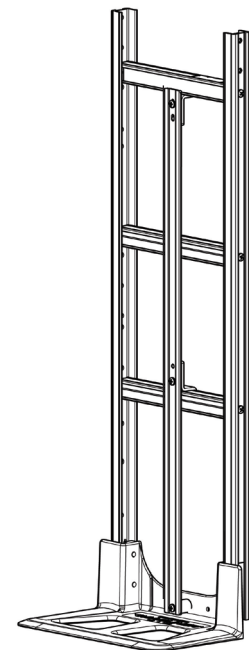


Figure 3

3. For recess mount noses (see Figure 4a):
  - a. Place the spacer (G) in between the vertical strap and the heel of the nose.
  - b. Insert the 1/4"-20 x 1-3/4" long screw (D) through the hole in the nose, through the spacer and through the strap. Fasten with one hex lock nut (F).
4. For flush mount noses (see Figure 4b):
  - a. Align the hole at the bottom of the vertical strap with the hole in the heel of the nose.
  - b. Insert the 1/4"-20 x 1" long screw (E) through the nose and through the strap. Fasten with one hex lock nut (F).
5. Final assembly (for all models; see Figure 5):
  - a. Locate the slots at the top of the vertical strap (A). Place one Z-bracket against the back of the vertical strap with the short leg oriented towards the top. Insert one 1/4"-20 x 3/4" long screw (C) through the hole in the Z-bracket and the vertical strap (finger tighten only for now). Adjust the upper Z-bracket upward against the bottom of the top cross brace so that it is secure against the cross brace. Fasten with one hex lock nut (F).
  - b. Fully tighten all hex lock nuts (tighten all 1/4"-20 screws to 50-60 in.-lbs. of torque).

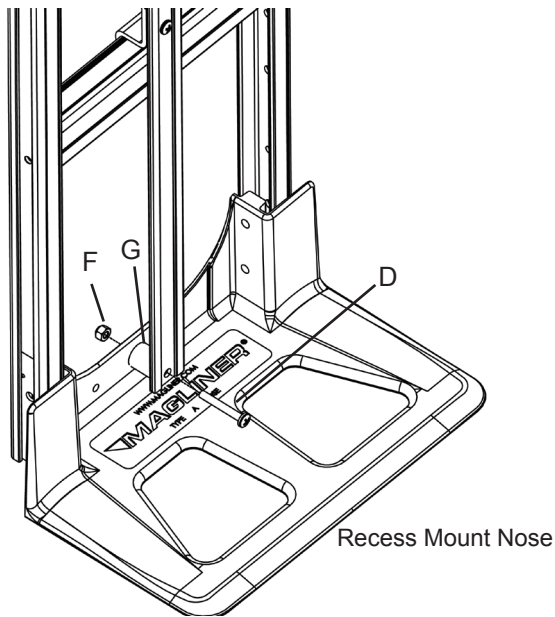


Figure 4a

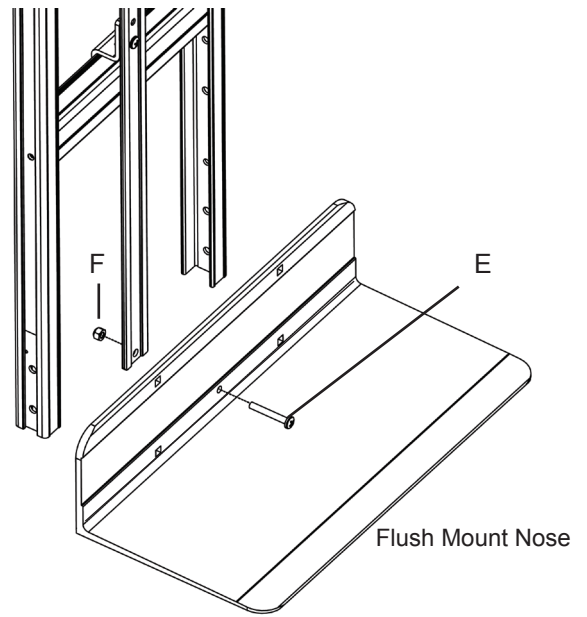


Figure 4b

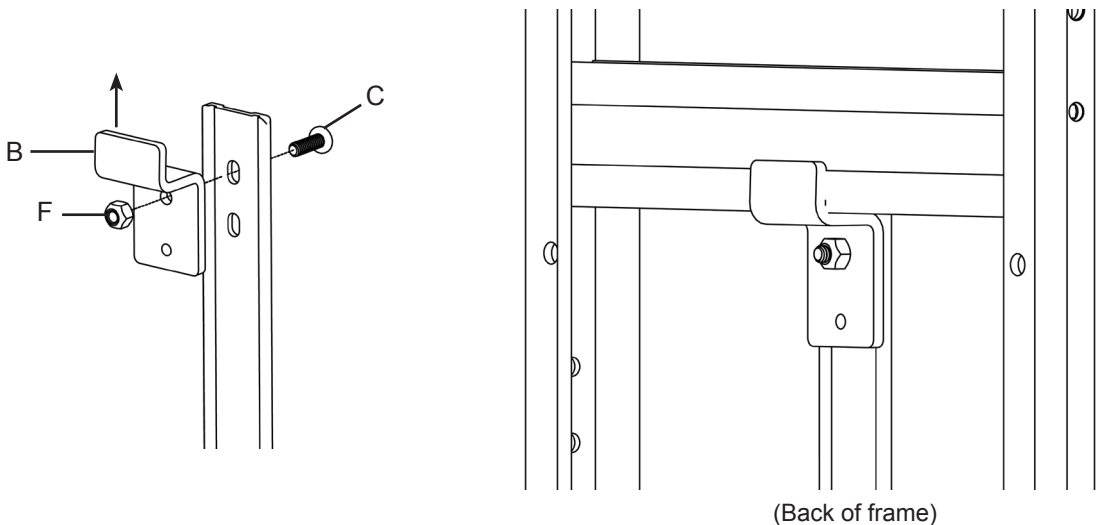


Figure 5

# PARTS LIST FOR FRAMES WITH MOLDED CROSS BRACES

Item	Description	Qty.	Part No.
A	Vertical strap	1	303126, 302010, 303115
B	Pan head machine screw - 1/4"-20 x 1-3/4" long	1	80106
C	Hex lock nut - 1/4"-20	1	80675
D	Spacer (for recess mount noses)	1	303108

## TOOLS REQUIRED

- (1) 7/16" WRENCH OR SOCKET
- (1) #3 PHILLIPS SCREW DRIVER

The following assembly sequence is recommended:

Use a workbench or table of convenient height and place all components in view and within reach.

1. Locate the top and back of the vertical strap (A) (see Figure 6 for clarification).
2. Slide the vertical strap down through the slots in the middle of the cross brace so that the back of the vertical strap is toward the back of the frame (see Figure 7). Make sure that the vertical strap is behind the nose.
3. For recess and flush mount noses, place the spacer (D) between the vertical strap and the heel of the nose. Insert the 1/4"-20 x 1-3/4" long screw (E) through the front of the nose, spacer and strap (see Figure 8). Fasten with one hex lock nut (F) (tighten to 50-60 in.-lbs. of torque).

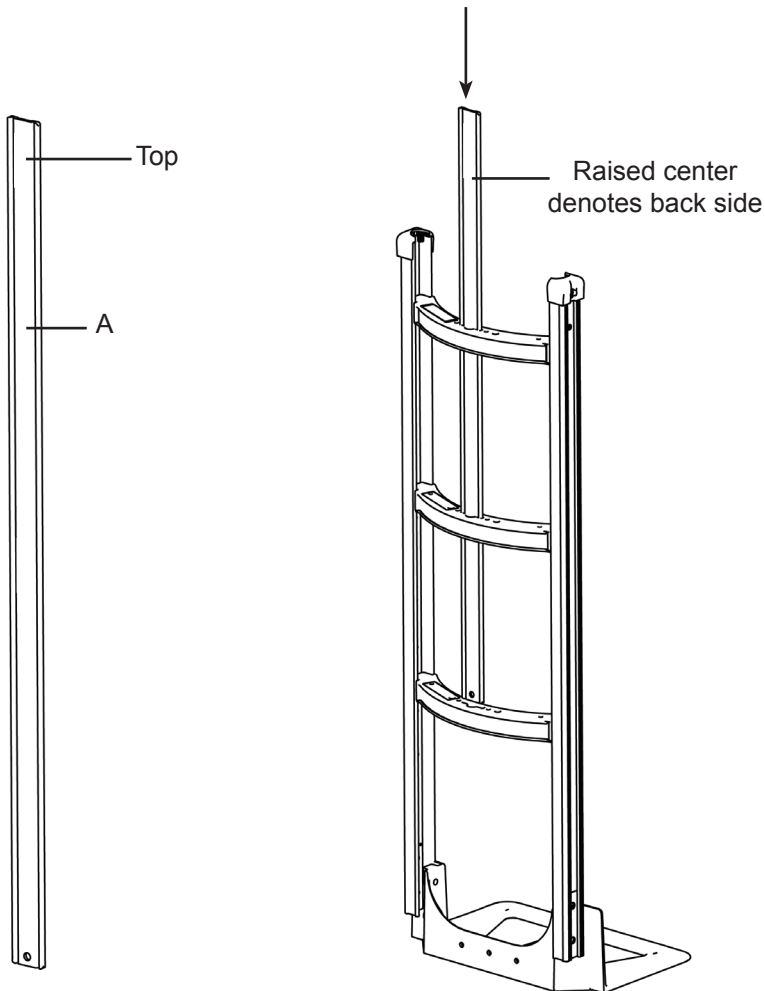


Figure 6

Figure 7

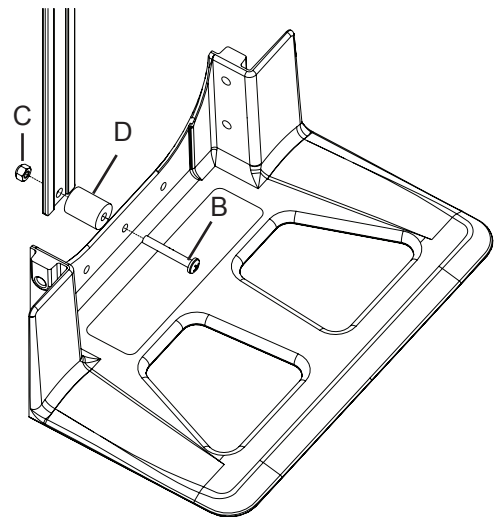


Figure 8

## MAGLINE, INC.

1205 W. Cedar Street • Standish, MI 48658 USA  
 1-800-MAGLINE (624-5463) • (989) 512-1000 (outside U.S. & Canada)  
[www.magliner.com](http://www.magliner.com)