

KEG HOOK INSTALLATION INSTRUCTIONS

PARTS LIST

ITEM	DESCRIPTION	QTY.	PART NO.
A	Keg hook (includes below)	1	301121K
B	Hex head cap screw 5/16-18x1-3/4"	2	80014
C	Flat washer 5/16"	2	80701
D	Hex lock nut 5/16"-18	2	80676

TOOLS REQUIRED

- (2) STANDARD 1/2" WRENCHES

INSTALLATION INSTRUCTIONS

1. Position the keg hook as shown in the illustration.

NOTE: Make sure to position the keg hook so that the mounting channel is on the **bottom** of the middle cross brace on a standard hand truck (Figure 1). For folding hand trucks, be sure to position the keg hook so that the mounting channel is on **top** of the middle cross brace (Figure 2).

2. Insert the bolts through the opening in the channel into each of the mounting holes on the middle cross brace and follow with the washer and the lock nut on the opposite side. Tighten with the two 1/2" wrenches.

Standard Hand Truck

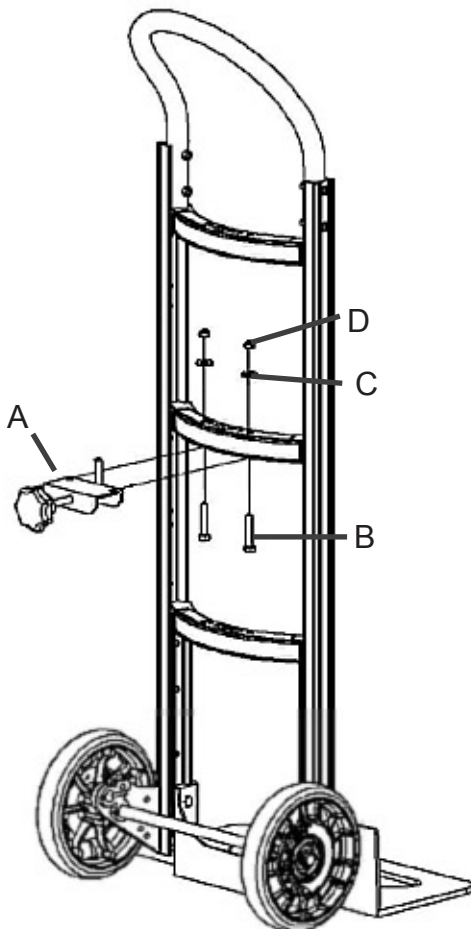


FIGURE 1

Folding Hand Truck

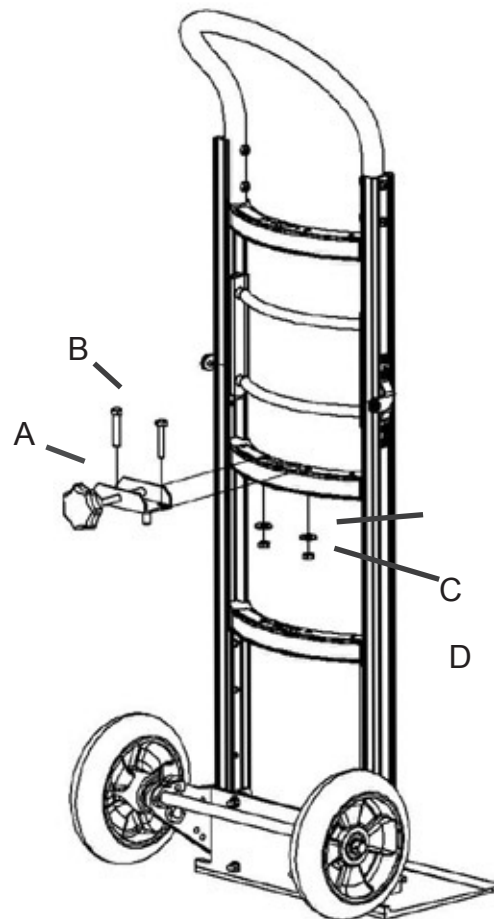


FIGURE 2

MAGLINER[®]

www.magliner.com

Magline, Inc., 1205 West Cedar Street, Standish, MI 48658 • (800) 624-5463 • (989) 512-1000