

PANEL FOR HAND TRUCK FRAME INSTALLATION INSTRUCTIONS

PARTS LIST

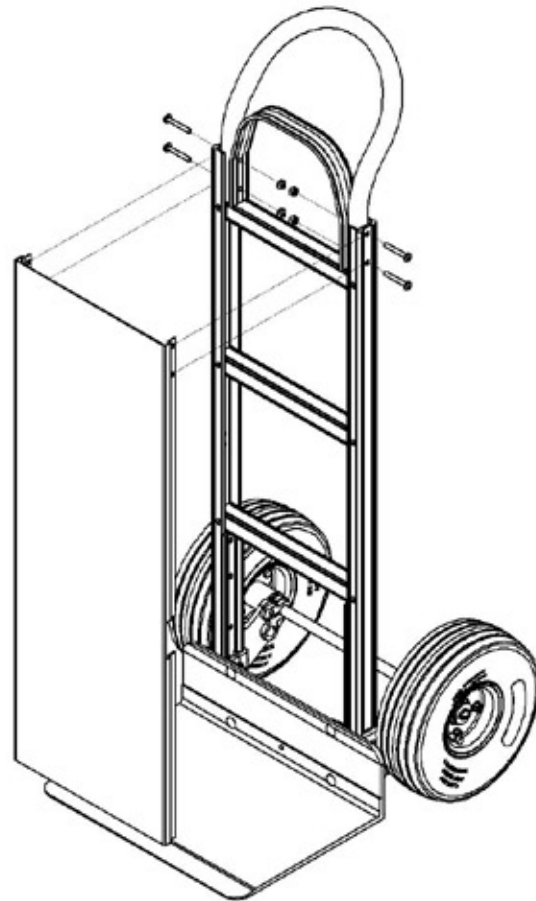
DESCRIPTION	QTY.	PART NO.
<i>Panels for hand truck frame</i>		
Back panel formed for hand truck frame (not carpeted)	1	3020200
OR		
Carpeted panel for hand truck frame	1	302020

TOOLS REQUIRED

- (1) #3 PHILLIPS HEAD SCREWDRIVER
- (1) 7/16" WRENCH

Installation Instructions

1. Remove the top two screws that secure the handle using the #3 Phillips head screwdriver and the 7/16" wrench.
2. Snap the back panel into place over the hand truck side rails with the holes positioned at the top.
3. Align the holes in the back panel with the holes in the side rails where the screws were previously removed.
4. Reinsert the screws to secure the handle and the newly installed back panel and tighten using the #3 Phillips head screw driver and the 7/16" wrench.



MAGLINER®

www.magliner.com

Magline, Inc., 1205 West Cedar Street, Standish, MI 48658 • (800) 624-5463 • (989) 512-1000