

4-WHEEL ARISTOCART ASSEMBLY INSTRUCTIONS

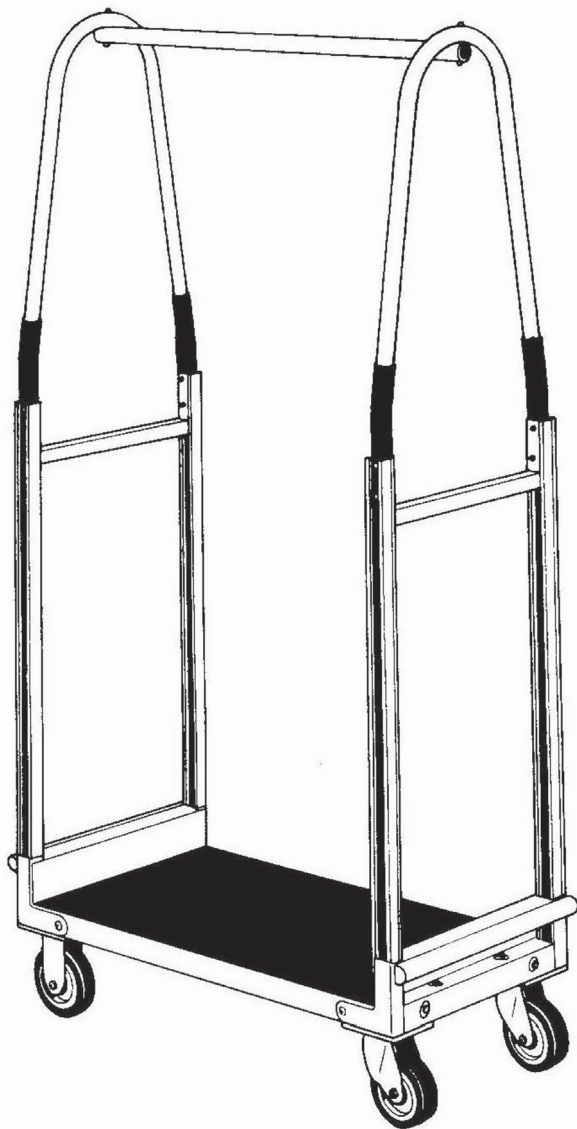


Table of Contents:

Assembly Instructions	2-3
Warranty Information	4

MAGLINER®

www.magliner.com

Using a suitable workbench or table of convenient height, place all components in view and within reach.

STEP 1: ASSEMBLE CASTERS TO CARPETED DECK ASSEMBLY

- Lay the carpeted deck assembly upside down on work area
- Place two (2) rigid casters on one narrow end of the deck assembly and two (2) swivel casters on the opposite end. NOTE: Two (2) 3/8 flat washers need to be placed on offset mounting surface of deck assembly, per caster (Figure 1).
- Position casters so that the elongated holes in caster line up with the holes in the deck assembly
- Fasten each caster with three (3) 5/16"-18 hex. head screws, washers and nylon locknuts. NOTE: Refer to Figure 1 for fastening sequence. Place all bolts, washers and nuts in correct position before tightening; then tighten to 23 foot pounds.

STEP 2: ASSEMBLE LOWER END ASSEMBLY TO CARPETED DECK ASSEMBLY

- Position lower end assembly onto deck assembly as shown in Figure 2
- Insert one (1) 5/16"-18 x 2-3/4" long hex head screw up through caster and bottom of lower end assembly
- Insert four (4) 5/16"-18 x 1" hex head screw as shown in Figure 2. NOTE: Fasten with washer and locknut.
- Tighten all 5/16 screws to approximately 120-140 in./lbs. torque

STEP 3: REPEAT STEP 2 FOR THE OPPOSITE END ASSEMBLY

STEP 4: ASSEMBLE UPPER END ASSEMBLY TO LOWER END ASSEMBLY

- Manually spread legs of upper end assembly (by hand) to fit firmly into place on the channel of the lower end assembly (Figure 3)

STEP 5: REPEAT STEP 4 FOR THE OPPOSITE END ASSEMBLY

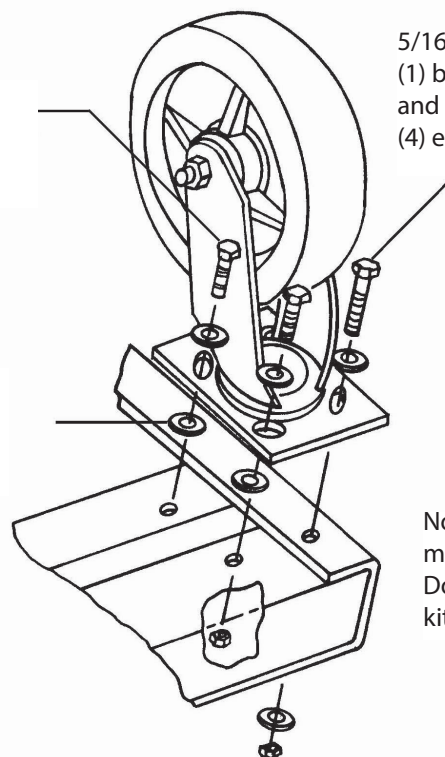
STEP 6: HANGAR BAR ASSEMBLY

- Fasten one end of hangar bar to upper end assembly as shown in Figure 3 with (1) one 5/16"-18 x 2-3/4 hex head screw
- Repeat step above for opposite end. NOTE: Opposite end-upper end assembly may need to be flexed inward to line up with the mounting hole of the hangar bar.
- Make sure all screws are tightened. NOTE: Tighten 1/4" screws to 50-60 in./lbs. and 5/16" screws to 120-140 in./lbs.

5/16"-18 x 1" long
(3) (80011) bolts, washers
(80701) and nuts (80676) req'd
(12) per truck (nuts and bolts)

(2) additional washers (80703) used
as spacers in between the deck and
swivel caster as shown in illustration
(8) 3/8" washers from truck carton

5/16"-18 x 2-3/4" long
(1) bolt (80019), washer (80701)
and nut (80676) required
(4) each required



Note: All hardware for caster attachment is included in the truck carton. Do not use hardware included in caster kit box.

Figure 1

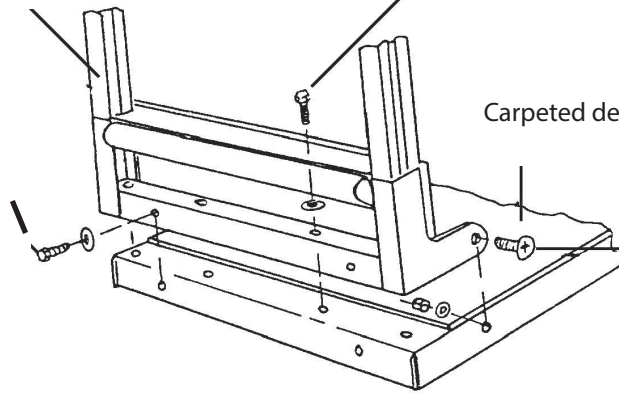
Figure 2

5/16"-18 x 1" lg. hex head screw (80011)
(4) req'd
5/16"-18 locknut (80676) (4) req'd
5/16 washer (80701) (8) req'd

Lower End Assembly

Carpeted deck assembly

5/16"-18 x 1" lg.
(80011) (4) req'd
5/16"-18 locknut
(80676) (4) req'd
5/16 washer
(80701) (8) req'd



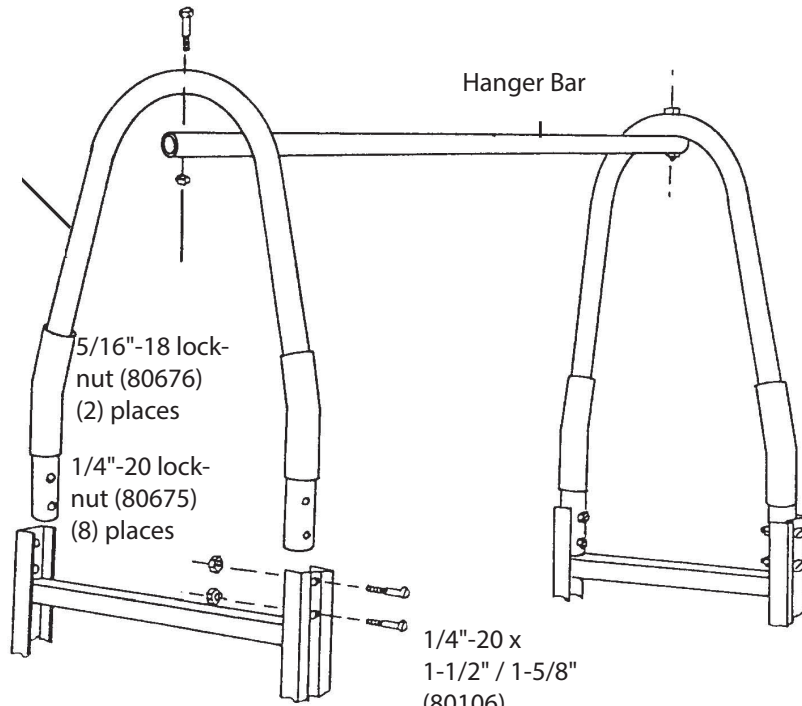
5/16"-18 x 3/4" lg. round truss hd.
screw (80249) (4) req'd
5/16"-18 locknut (80676) (4) req'd
5/16 washer (80701) (4) req'd

Figure 3

5/16"-18 x 2-3/4" lg. hex
head screw (80019)
(2) places

Upper End Assembly

Hanger Bar



5/16"-18 lock-
nut (80676)
(2) places

1/4"-20 lock-
nut (80675)
(8) places

1/4"-20 x
1-1/2" / 1-5/8"
(80106)
(8) places

MAGLINE, INC.
1205 W. Cedar Street • Standish, MI 48658 USA
1-800-MAGLINE (624-5463) • (989) 512-1000 (outside U.S. & Canada)
www.magliner.com