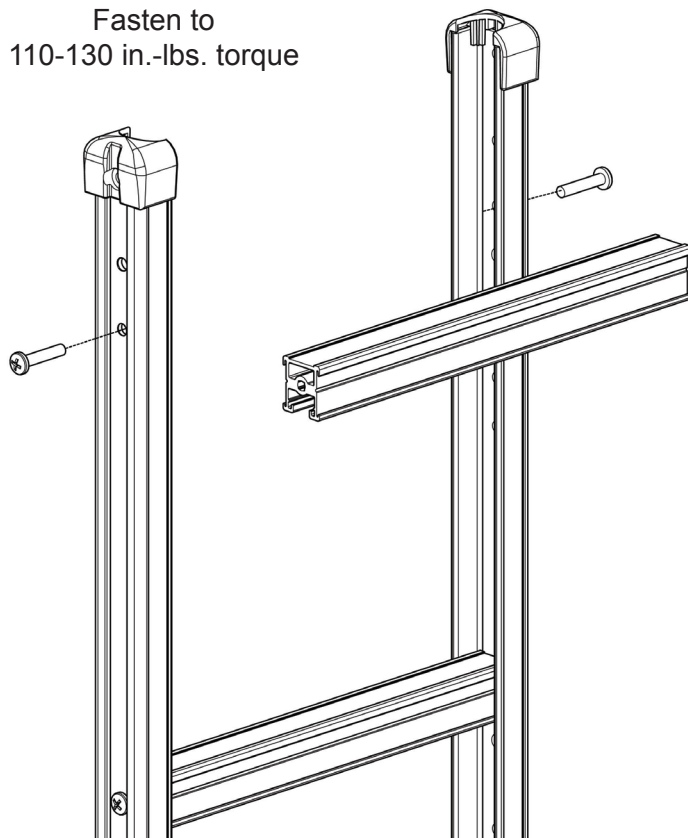


FRAME CROSS BRACE ASSEMBLY INSTRUCTIONS

TOOLS REQUIRED

- (1) #3 PHILLIPS SCREWDRIVER
- (1) SOFT FACED Mallet
- (1) T30 TORX DRIVER

Aluminum cross braces:



Molded cross braces:

